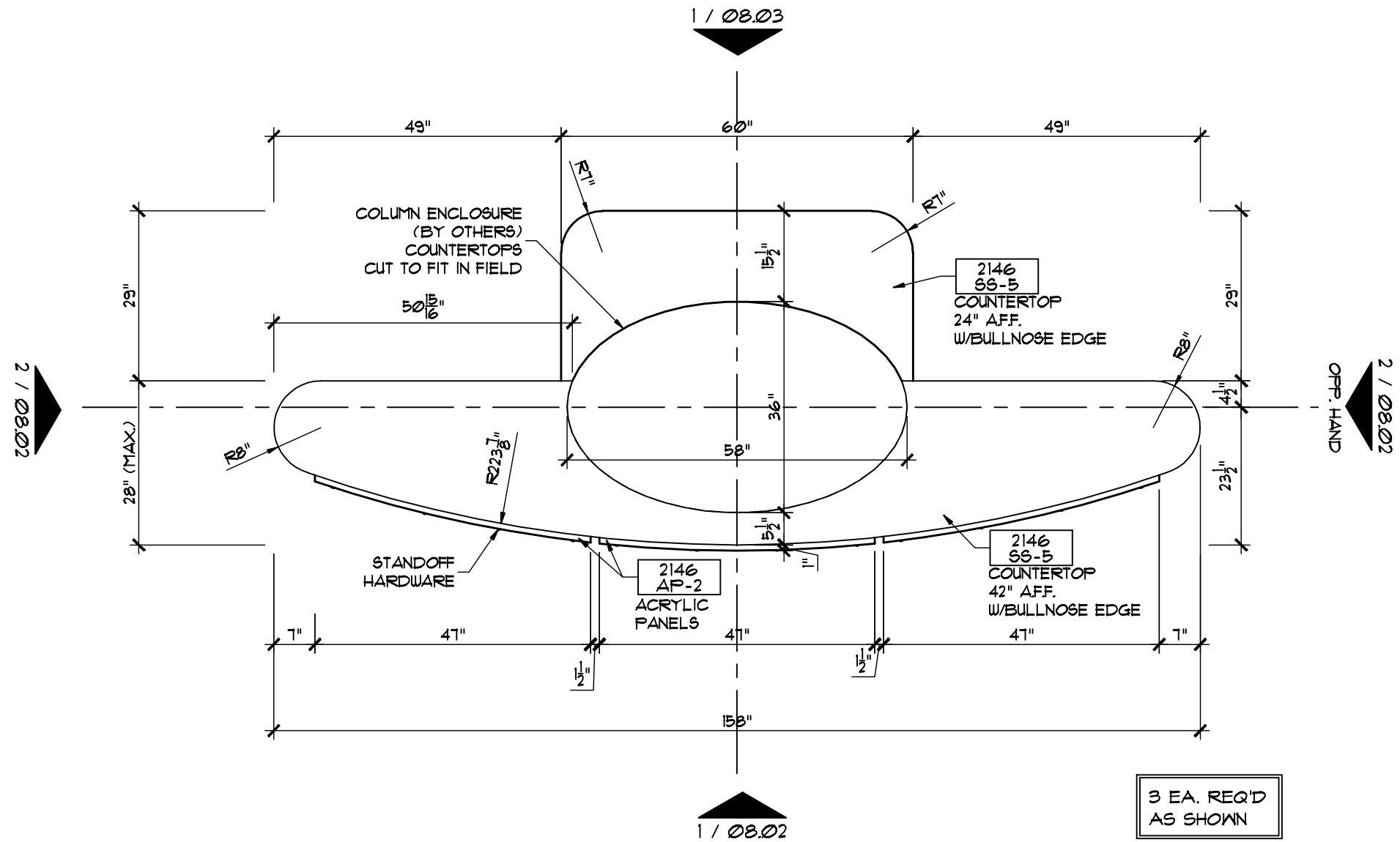


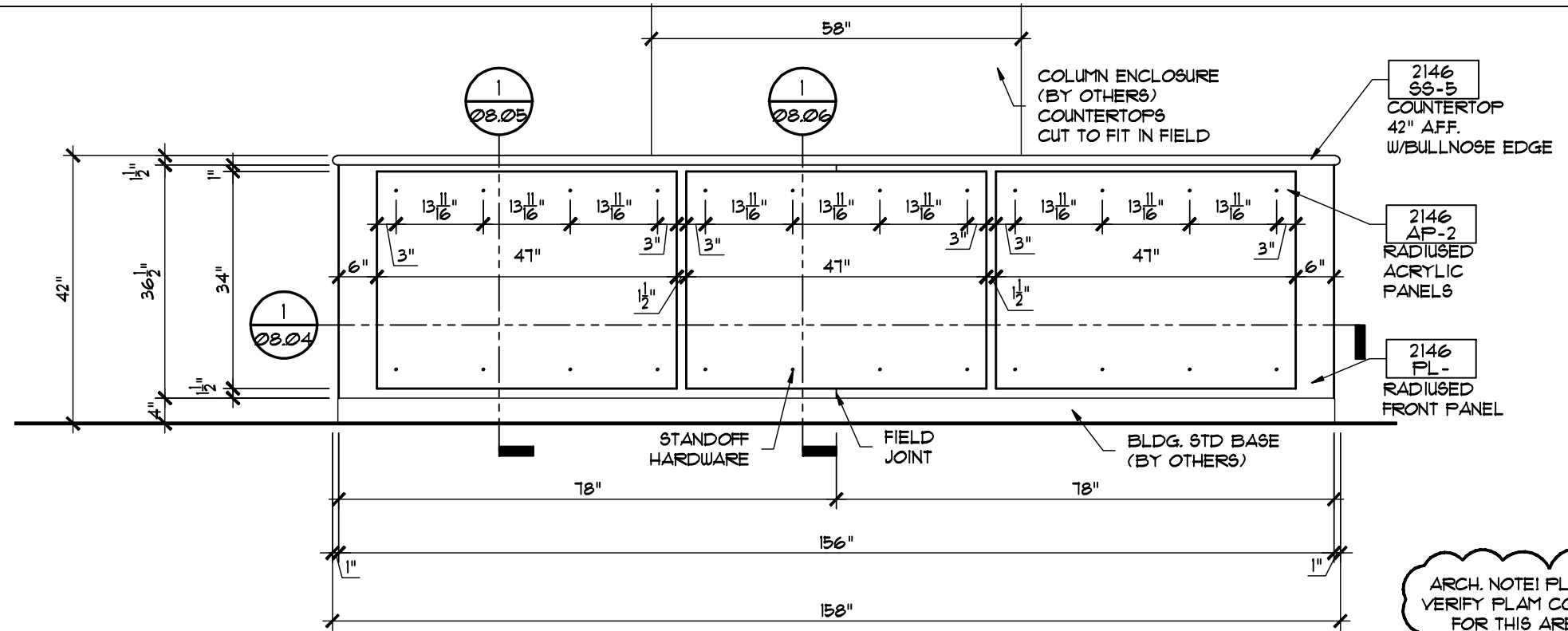
ROOM SCHEDULE		
ROOM NAME	ROOM NUMBER	PLAN REFERENCE
WAITING ROOM	2003	A22A1
ADULT WAITING RM	2005	A22A1
WAITING ROOM	2009	A22A1



1 PLAN AT TYPICAL DISPLAY DIVIDERS
 ARCH'T. REF: A2.3A1

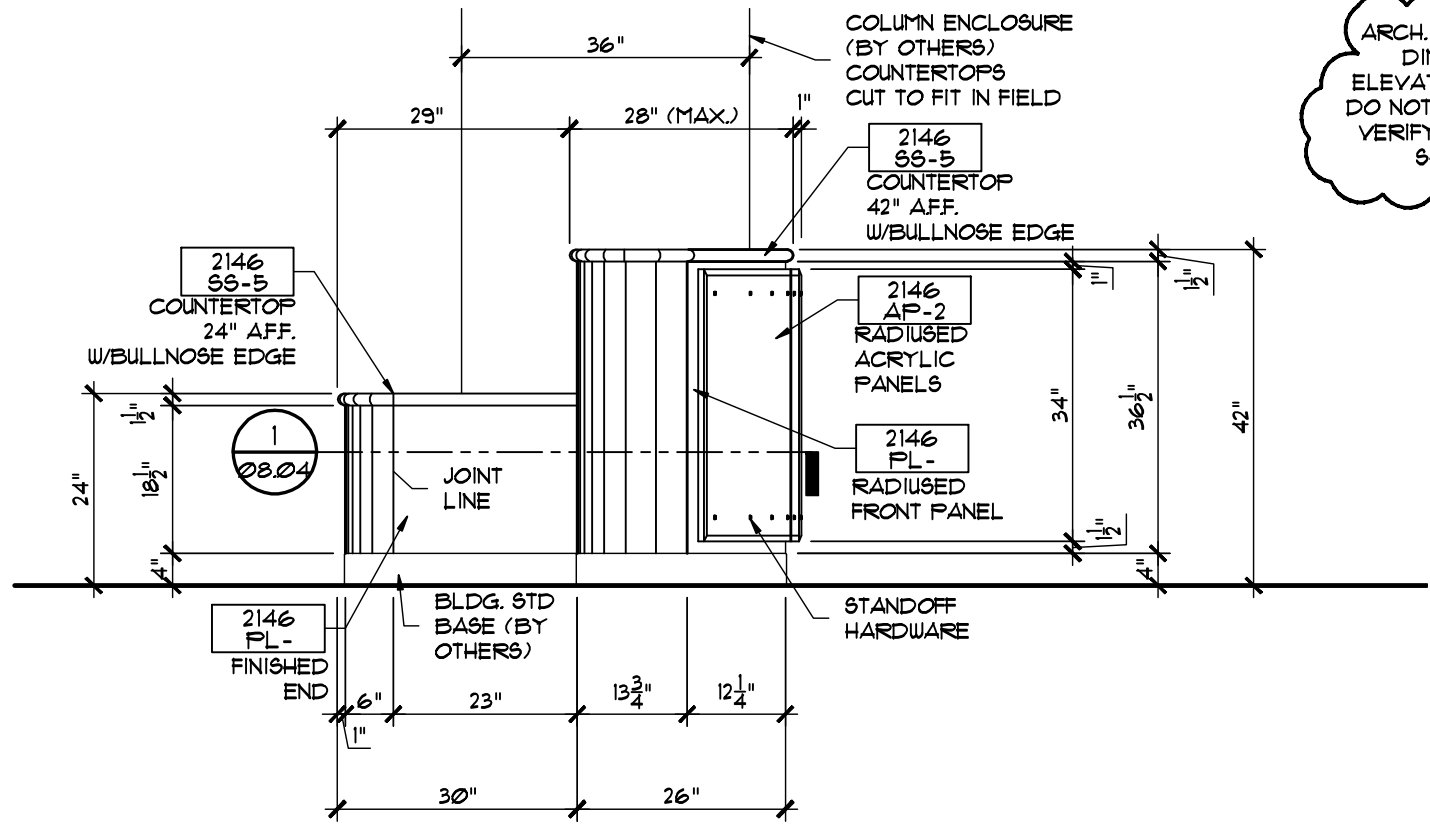
1/2" = 12"

3 EA. REQ'D
 AS SHOWN



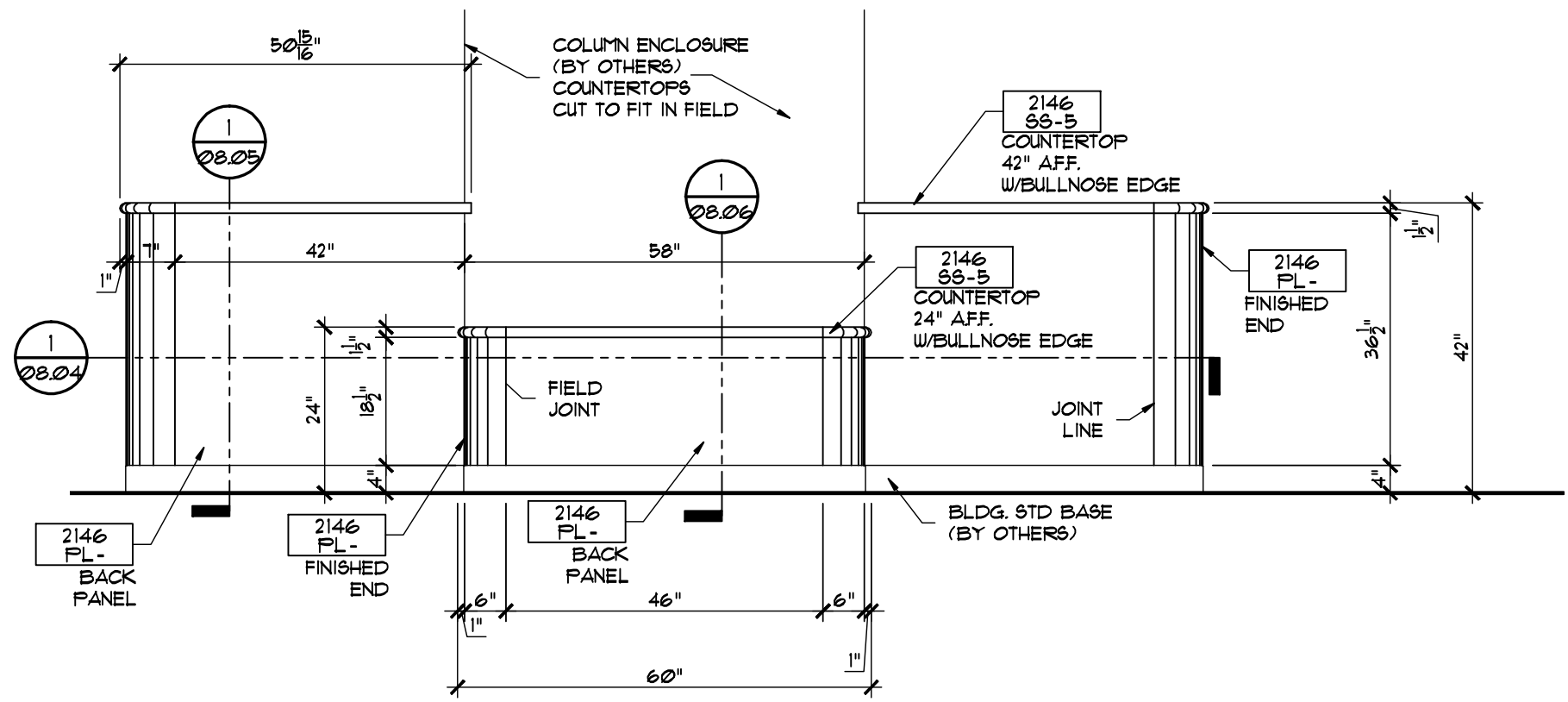
ARCH. NOTE! PLEASE VERIFY FLAM COLORS FOR THIS AREA.

1 ELEVATION AT TYPICAL DISPLAY DIVIDERS
 08.07 ARCH'T. REF: 10/A5.27 1/2" = 12"

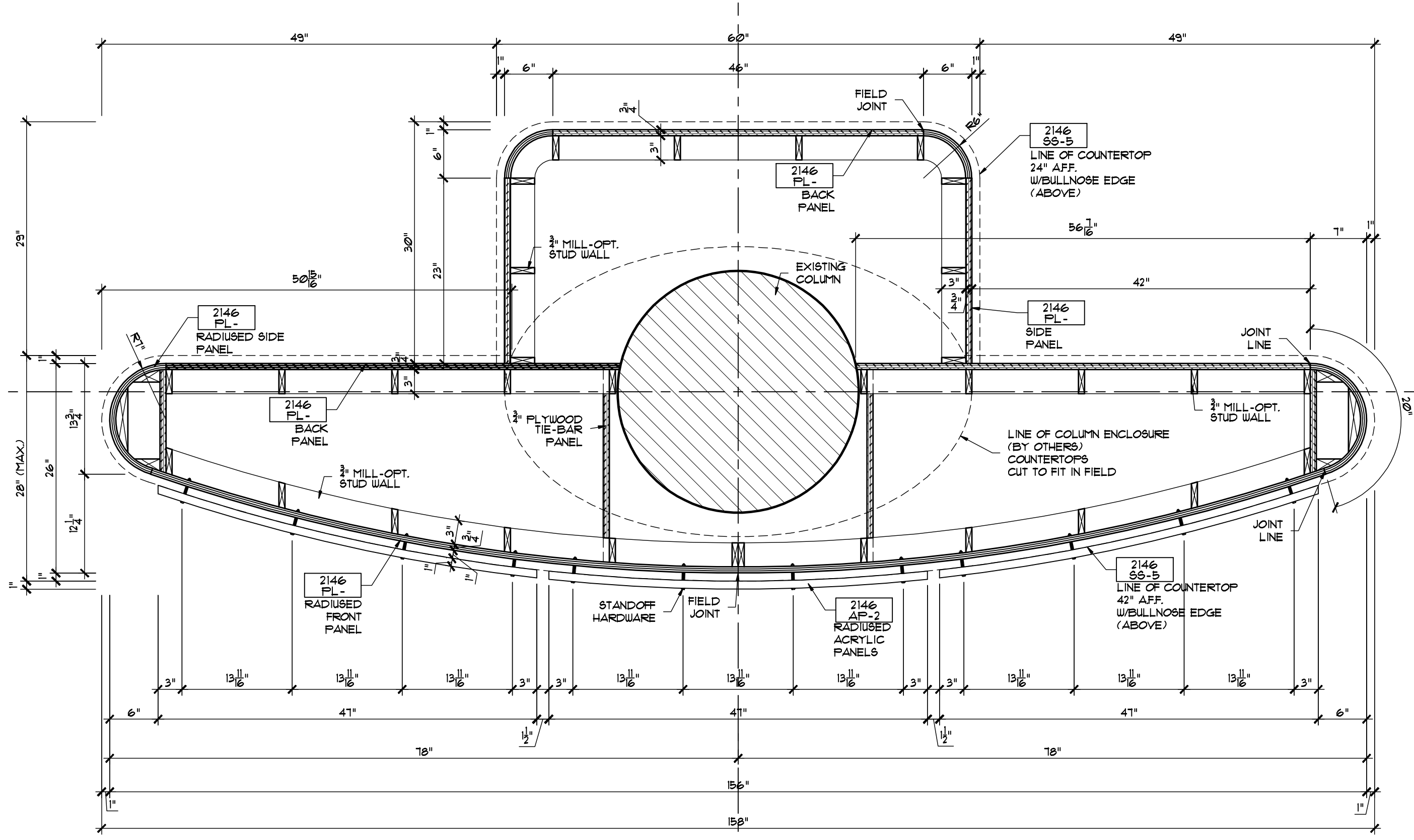


ARCH. NOTE! VERTICAL DIMENSIONS ON ELEVATIONS & SECTIONS DO NOT ADD UP. PLEASE VERIFY DIMENSIONS AS SHOWN HERE.

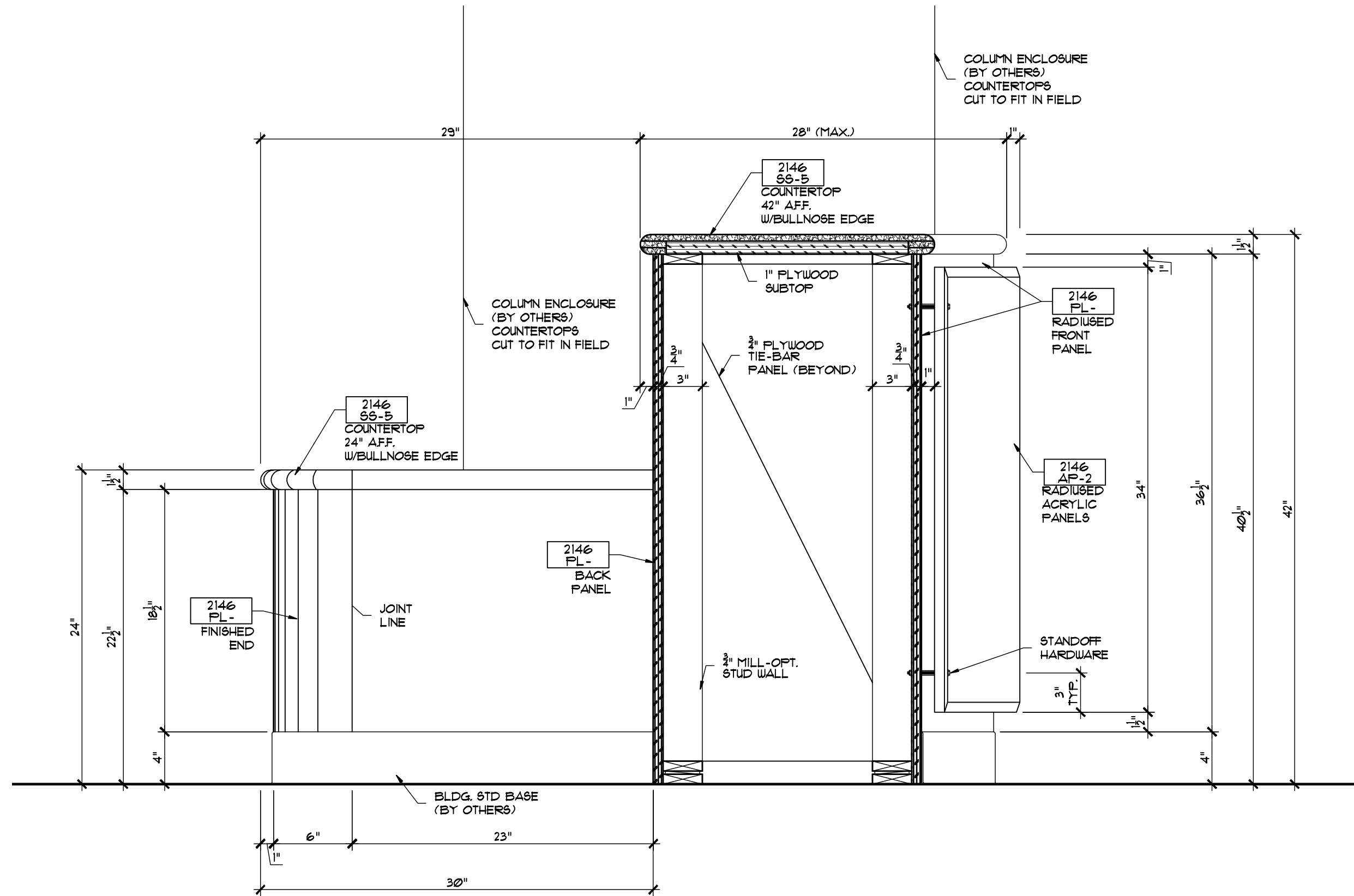
2 ELEVATION AT TYPICAL DISPLAY DIVIDERS
 08.07 ARCH'T. REF: 9/A5.27 1/2" = 12"



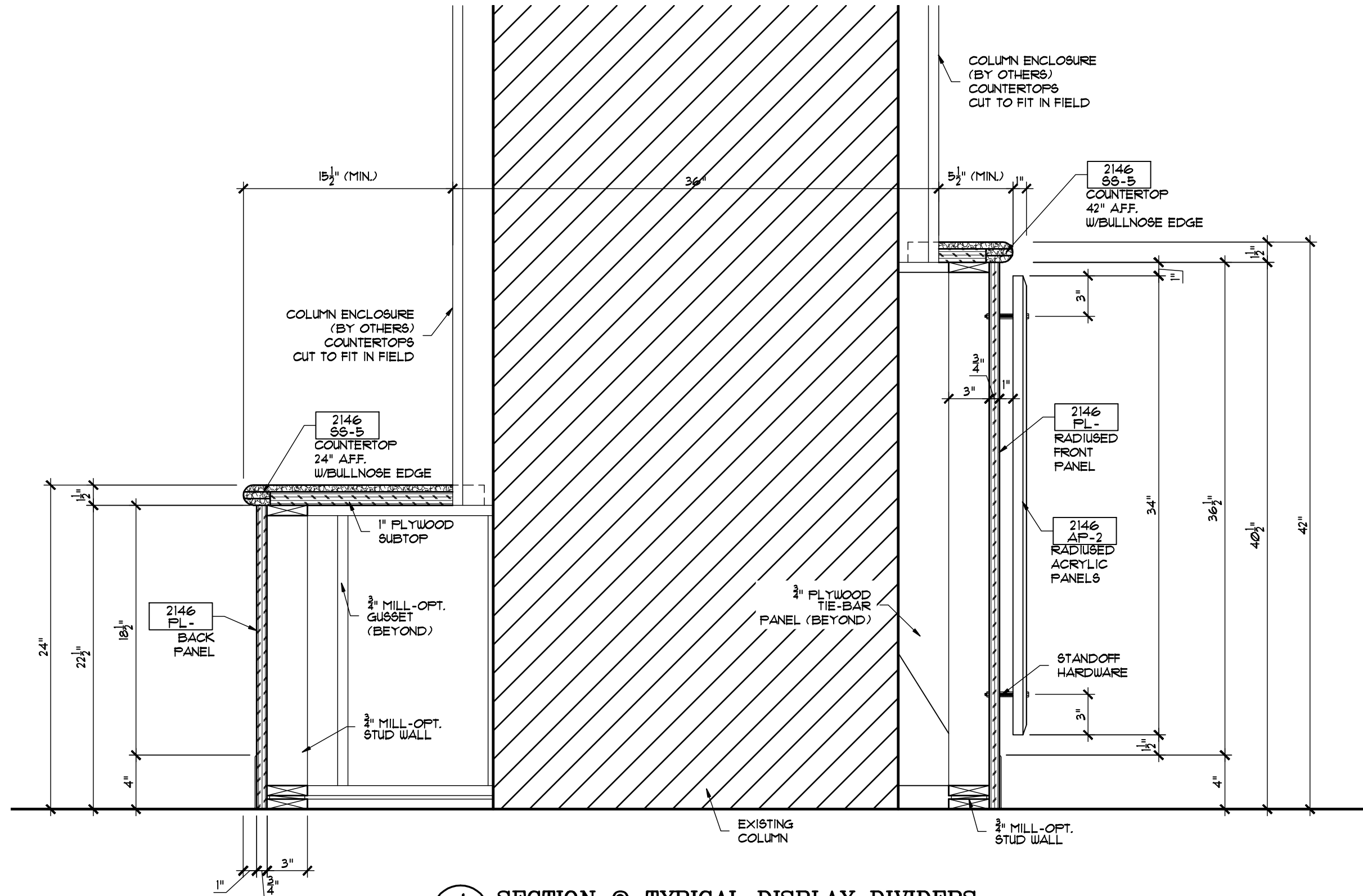
Ø8.03 **ELEVATION AT TYPICAL DISPLAY DIVIDERS**
ARCH'T. REF: 8/A5.27 1/2" = 12"



1 PLAN SECTION @ TYP. DISPLAY DIVIDERS
 08.04 ARCH'T. REF: 8 & 9/A8.10 1" = 12"



1 SECTION @ TYPICAL DISPLAY DIVIDERS
 08.05 ARCH'T. REF: 15/A8.10 (SIM.) 1-1/2" = 12"



1 SECTION @ TYPICAL DISPLAY DIVIDERS
 08.06 ARCH'T. REF: 14/A8.10 (SIM.) 1-1/2" = 12"